

Special motors - Range MTC-MTCF / MTA-MTAF

Manufactured for intensive use in on-board applications (marine, railway...), these products can be provided with approval certificates from all the main classification companies (B.V, D.N.V, L.R, etc).

They can also be used in wet and aggressive environment for industrial applications.

On request, we manufacture specific machines according to customer specifications : (winch, capstan, windlass, davit, ventilating, pump, propulsion, etc...)

- Fail-safe brake 1.5Cn - 2Cn - 2.5Cn – with manual release system
- Encoder
- Protection factor for motor + brake IP 56, 66, 68
- Reheating
- Anti-slip
- Winding thermal protection sensor
- Underwater housing



Main characteristics

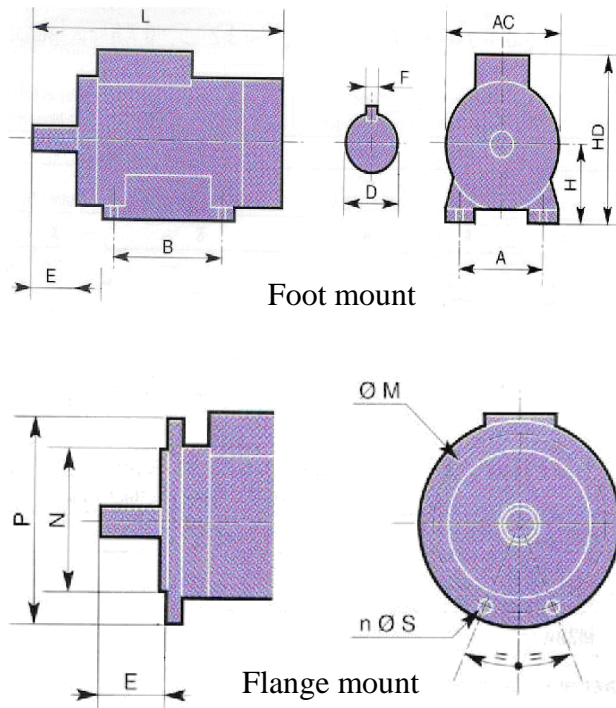
- AC or DC motors, monoblock cast iron, stainless steel housings
- Cast iron bearings, large terminal box
- Supply voltages : 230Vac to 690Vac
24Vdc – 12Vdc – 48Vdc – 72Vdc
- Frequency : 50Hz-60Hz
- Speed : 3000 - 1500 - 1000 – 750rpm
- Power range :
0.37 to 400 Kw for AC motors
0.25kw to 2.2Kw for DC motors
- Marine and tropicalised impregnation
- Protection IP55 - 56 - 68 of the motor + brake
- Mechanical adaptations : flange, specific shaft end
- The rotors are dynamically balanced
- The bearings are lubricated with lithium grease.
The motors from 0.37kw to 55kw are equipped with bearings which are permanently greased.
- Magnetic circuit with low losses

* Many other options available on request (voltage, power form, size...)



Special motors - Range MTC-MTCF / MTA-MTAF

Standard dimensions



Power in function of the shaft height and speed

Shaft height	1000 rpm	1500 rpm	3000 rpm
71	0.18 - 0.25	0.25 - 0.37	0.37 - 0.55
80	0.37 - 0.55	0.55 - 0.75	0.75 - 1.1
90	0.75 - 1.1	1.1 - 1.5	1.5 - 2.2
100	1.5	2.2 - 3	3
112	2.2	4	4
132	3 - 4 - 5.5	5.5 - 7.5	5.5 - 7.5
160	7.5 - 11 - 14	11 - 15 - 18.5	11 - 15 - 18.5 - 22
180	15 - 18.5	18.5 - 22 - 30	22 - 30
200	18.5 - 22 - 30	30 - 37	30 - 37 - 45
225	30 - 37	37 - 45 - 55	45 - 55
250	37 - 45	55 - 75	55 - 75
280	45 - 5 - 75	75 - 90 - 110	75 - 90 - 110
315	75 - 90 - 110 - 132	110 - 132 - 160 - 200	112 - 132 - 160 - 200
355	160 - 200 - 250 - 315 - 355	250 - 315 - 355 - 400 - 450 - 500	250 - 315 - 355 - 400 - 450

H	71	80	90	100	112	132	160	180	200	225	250	280	315	355
A	112	125	140	160	190	216	254	279	318	356	406	457	508	610
B	90	100	125	140	140	178	210 / 254	241 / 279	267 / 311	286 / 311	311 / 349	368 / 419	406 / 457	500
D	14	19	24	28	28	38	42	48	55	55 / 60	60 / 65	65 / 75	65 / 80	70 / 100
E	30	40	50	60	60	80	110	110	110	110 / 140	140	140	140 / 170	140 / 210
F	5	6	8	8	8	10	12	14	16	16 / 18	18	18 / 20	18 / 22	20 / 28
L	255	285	335	380	395	505	603	680	774	86	875	1088	1204	1414
HD	190	225	240	270	290	330	382	422	506	552	605	759	852	852
AC	145	165	180	205	225	265	316	356	390	430	480	577	654	740
M	130	165	165	215	215	265	300	300	350	400	500	500	600	740
N	110	130	130	180	180	230	250	250	300	350	450	450	550	680
P	160	200	200	250	250	300	350	350	400	450	550	550	660	660
n	4	4	4	4	4	4	4	4	4	4	4	8	8	8
S	10	12	12	15	15	15	19	19	19	19	19	18	23	23

FC-MOTSPE-EN-C